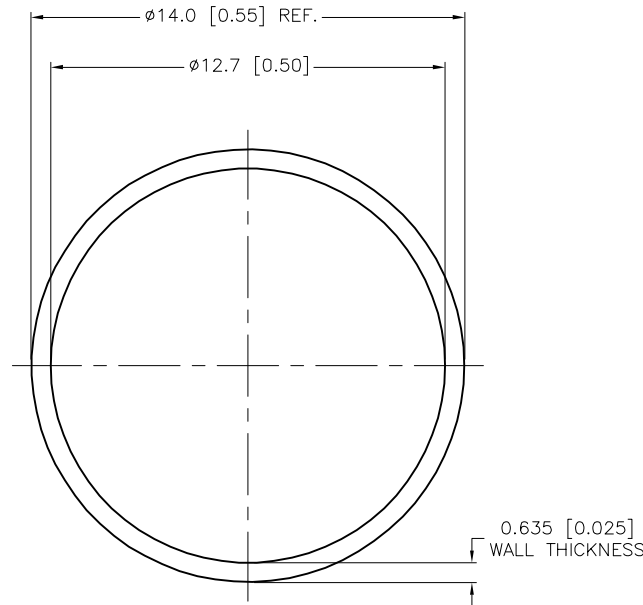


SPECIFICATIONS


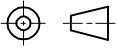
MATERIAL/COLOR	FLUOROELASTOMER COATED FIBERGLASS/BLACK
TEMPERATURE RATING	-70°C to +220°C (-94°F to +428°F)
TENSILE STRENGTH	2000 psi @ 24°C; 600 psi @ 149°C
ELONGATION	150% @ 24°C; 75% @ 149°C
RATINGS	ASTM-D350, UL 1441, NEMA TF-1, MIL-E-5272, MIL-I-3190/7



SOURCE DRAWING - FOR REFERENCE ONLY

NOTES:

1. 50 FOOT SPOOL OF VITON SLEEVING.

RELATED DOCUMENTS		3RD ANGLE PROJECTION	THIS DRAWING IS CONFIDENTIAL AND THE PROPERTY OF TURCK INC. USE OF THIS DOCUMENT WITHOUT WRITTEN PERMISSION IS PROHIBITED.		 3000 CAMPUS DRIVE MINNEAPOLIS, MN 55441 1-800-544-7769 (763) 553-7300 (763) 553-0708 fax www.turck.us	
1.			DRFT	RDS	DATE	07/28/08
2.			APVD		SCALE	1=.3
3.		ALL DIMENSIONS DISPLAYED ON THIS DRAWING ARE FOR REFERENCE ONLY	UNIT OF MEASUREMENT		DESCRIPTION	
4.			MILLIMETER [INCH]		FFV 1/2INCH BLACK 50 FOOT ROLL	
MATERIAL		CONTACT TURCK FOR MORE INFORMATION	IDENTIFICATION NO.		REV	
SEE SPECIFICATIONS			A9199		A	
FINISH		DO NOT SCALE THIS DRAWING		FILE: A9199		SHEET 1 OF 1
SEE SPECIFICATIONS						

A	DRAWING RELEASE	RDS	07/29/08	
REV	DESCRIPTION	BY	DATE	ECO NO.